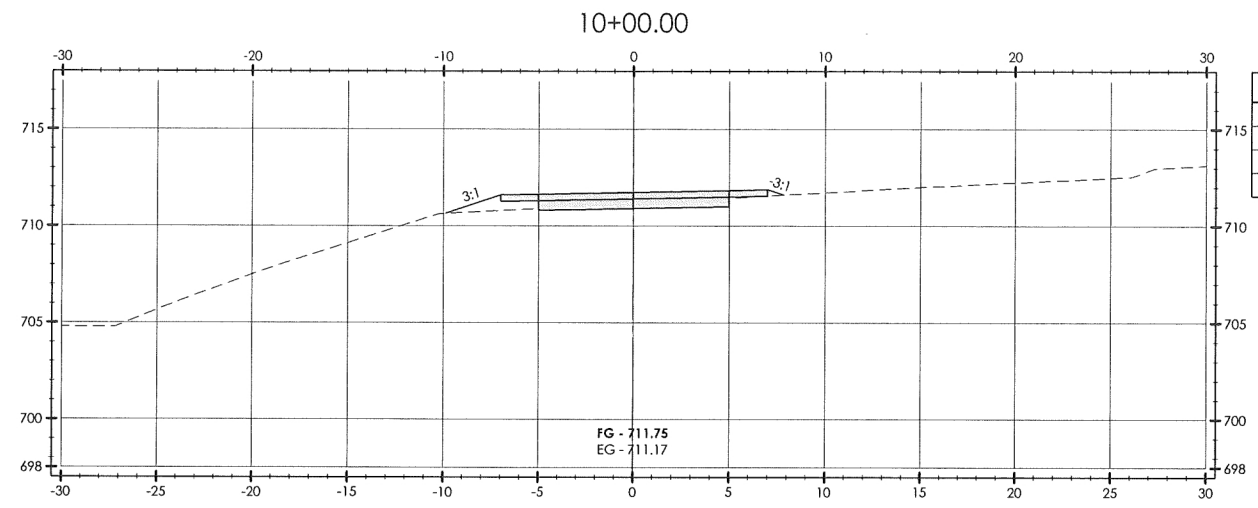
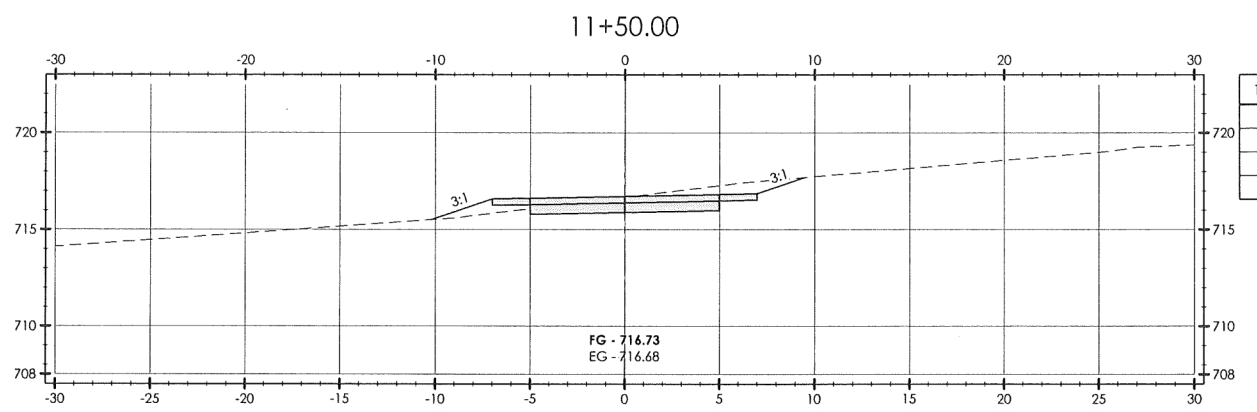


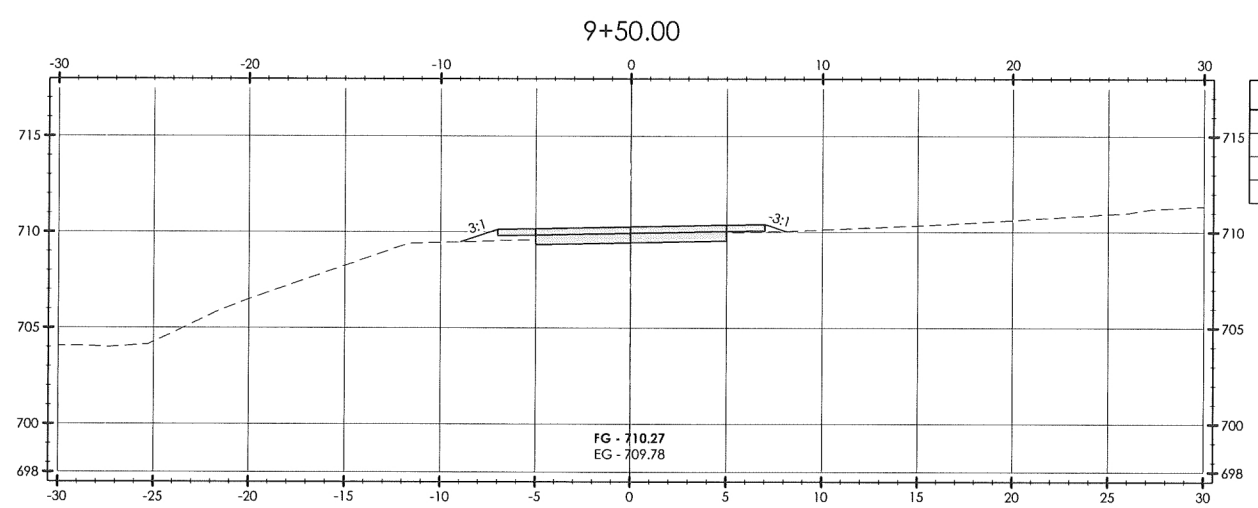
OKLAHOMA DEPARTMENT OF TRANSPORTATION					
FED. ROAD DIST. NO.	STATE	PROJ. NO.	FISCAL YEAR	SHEET NO.	TOTAL SHEETS
6	OKLA	28844(04)			
DESCRIPTION			REVISIONS	DATE	



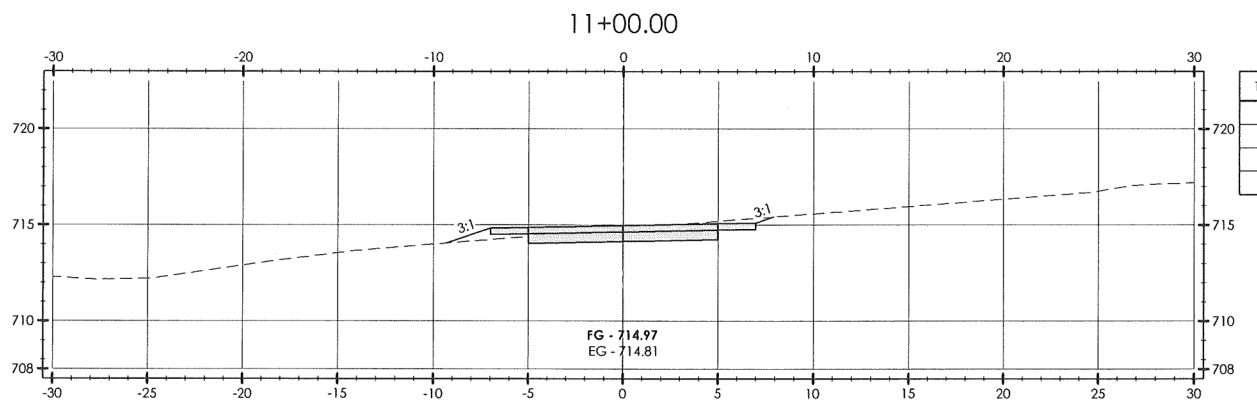
Trail Station 10+00.00	
Cut Area	2.79 SF
Cut Vol	5.95 CY
Fill Area	2.19 SF
Fill Vol	3.32 CY



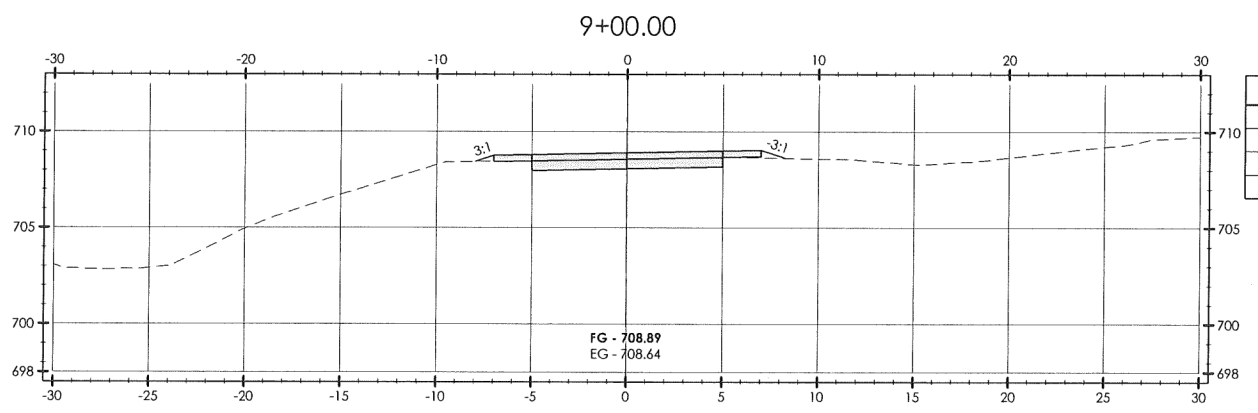
Trail Station 11+50.00	
Cut Area	10.64 SF
Cut Vol	17.39 CY
Fill Area	1.78 SF
Fill Vol	2.62 CY



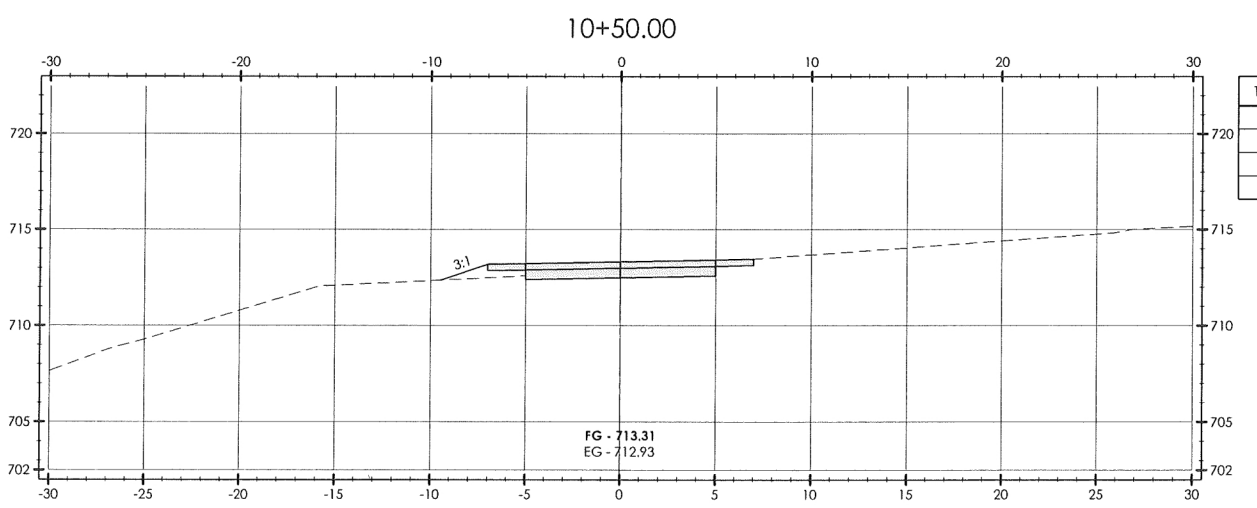
Trail Station 9+50.00	
Cut Area	3.64 SF
Cut Vol	9.23 CY
Fill Area	1.39 SF
Fill Vol	1.92 CY



Trail Station 11+00.00	
Cut Area	8.15 SF
Cut Vol	12.47 CY
Fill Area	1.05 SF
Fill Vol	2.29 CY

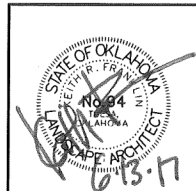
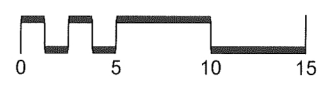


Trail Station 9+00.00	
Cut Area	6.33 SF
Cut Vol	17.46 CY
Fill Area	0.68 SF
Fill Vol	0.63 CY



Trail Station 10+50.00	
Cut Area	5.32 SF
Cut Vol	7.51 CY
Fill Area	1.43 SF
Fill Vol	3.35 CY

F:\582 Sand Springs Park Road Trail\Final\Civil 3D - Base Files\ParkRoadTrail-Base\1-Final-R1.dwg, 6/12/2017 3:00:07 PM



City of Sand Springs - Park Road Trail		PREPARED BY: LANDPLAN CONSULTANTS	Tulsa County
Design	JM 7/16	1100 VINEY 2ND DRIVE	918 584 1404
Drawn	JM/BB 8/16	CROSS SECTIONS SHEET (4)	
Checked	KF/JM 6/17	STATE JOB NO. 28844(04)	
Approved		Sheet No. 47 of 62	
Squad	LandPlan		